

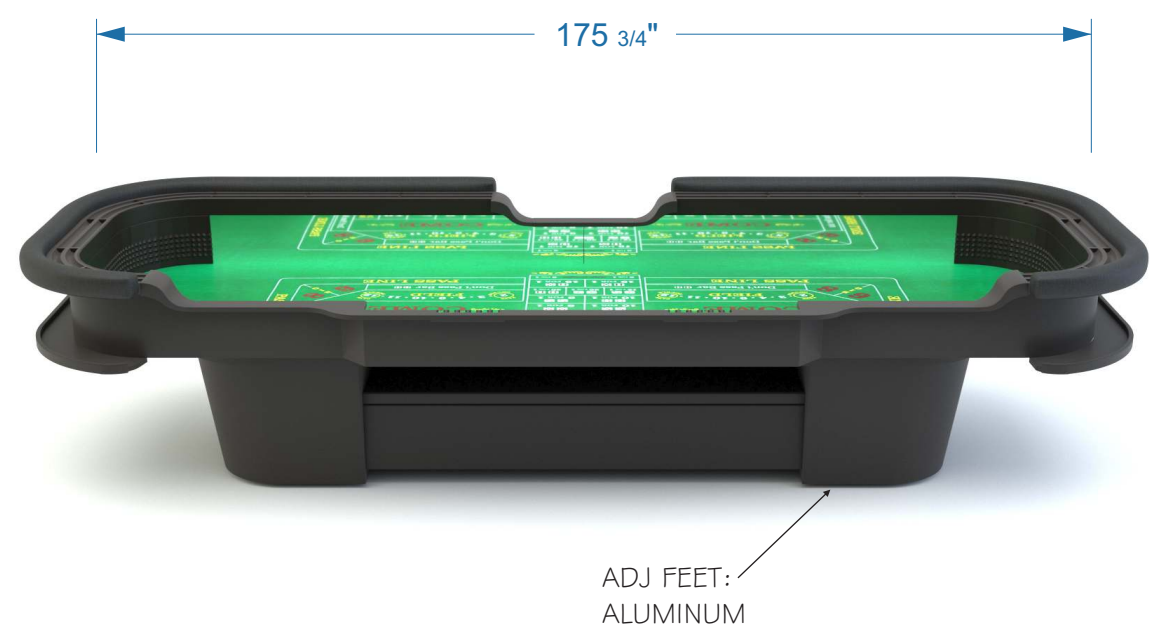
FRONT VIEW



SIDE VIEW



BACK VIEW



PERSPECTIVE VIEW



ITEM

DESCRIPTION

DRAWN BY

SALES REP:

SPECIFICATIONS:

A	NO EXCEPTIONS
B	EXCEPTIONS AS NOTED
C	REVISED AND RESUBMIT
D	REJECTED
E	FOR INFORMATION ONLY
F	NOT REVIEWD

SUBMITTAL REVIEW

Qty. **02**

DATE DRAWN: