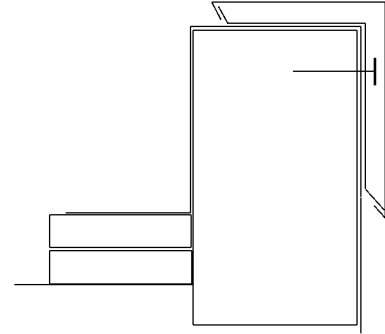




EDGE DETAIL

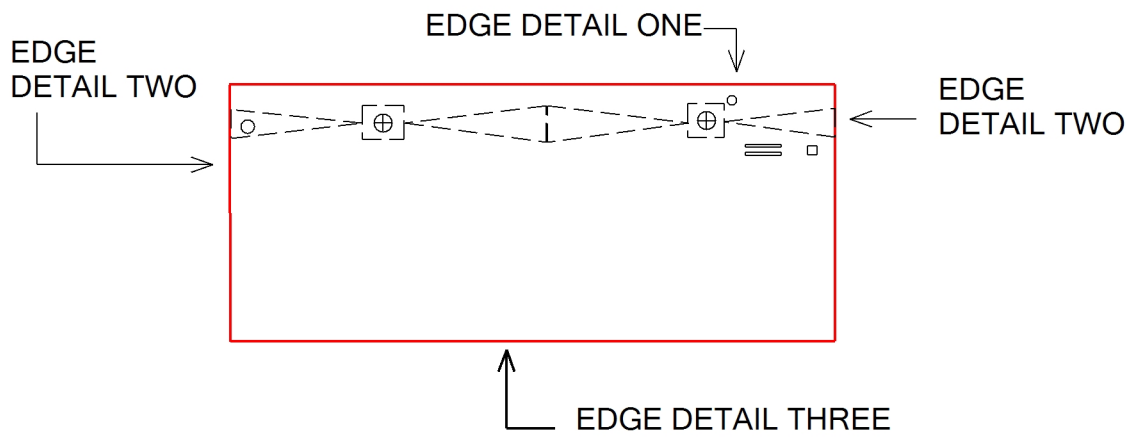


PIT ROOF TO RECIEVE
20 YEAR
SIL 402 SYSTEM

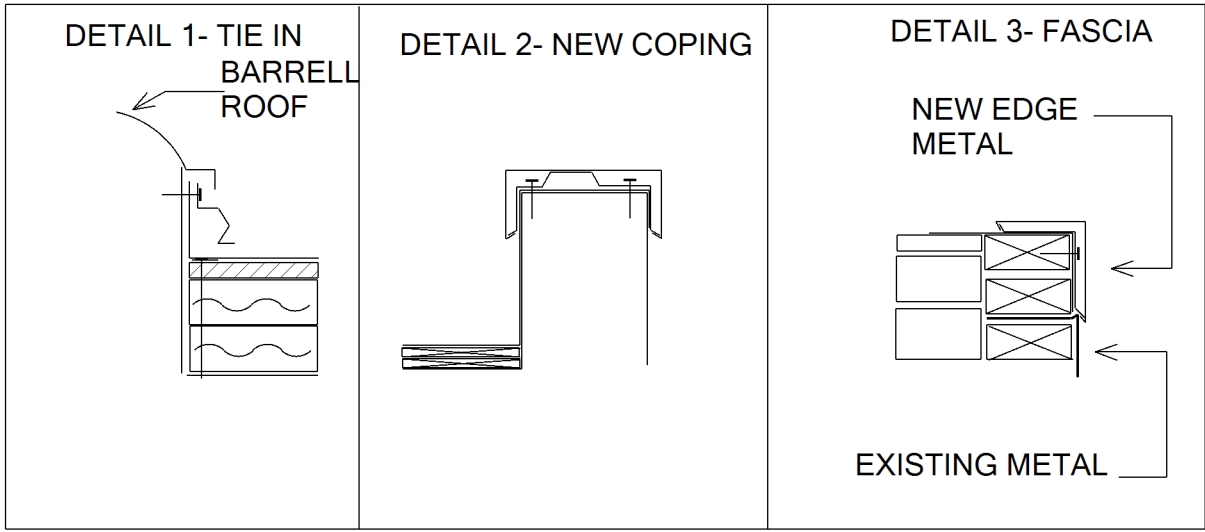
TEAR OFF TO DECK
NEW 725TR VB
TWO LAYERS OF 2.6\"/>

ALL SUMPS
16 FOOT

Project		NIAGARA CASINO	
		SENECA OFFICE BUILDING	
DWG. By		CAS	
Date	11/30/23	Scale	N.T.S



EDGE DETAILS



<i>Project</i>	NIAGARA CASINO	
	ROOF REPLACEMENT- SOUTH	
<i>DWG. By</i>	CAS	
<i>Date</i>	11/30/23	<i>Scale</i> N.T.S